



# Product Data

---

**Split System (R-410A)  
Air Handler for  
Multi Split Inverter System  
9,000 to 24,000 BTU/Hr**

---



## **Ceiling Concealed Type Indoor Unit:**

4MXD8509A10N0

4MXD8512A10N0

4MXD8518A10N0

4MXD8521A10N0

4MXD8524A10N0

# It's Hard to Stop a Trane.

## **Split System (R-410A, 60Hz) 16 SEER, Inverter System - 9,000 to 24,000 BTU/Hr**

Whatever their specific heating and cooling needs, people trust Trane to provide reliable efficient solutions. Trane Ductless Systems allow you to create a comfortable indoor environment in spaces where adding ductwork might be impractical or too expensive, or not as efficient as a ductless option.

Retrofit a house that doesn't have a ducted system or where the central system is already at capacity. Bring efficient, economical comfort to new room additions. Provide spot heating and cooling that operates independently of the central system. Utilize ductless efficiency for new construction projects where ductless systems make more sense than a traditional ducted system.

Easy to install Trane Ductless Systems offer flexibility in design and provide efficiency and economy with two simple components - an outdoor unit and one or more stylish, low profile, indoor units. All built with Trane's legendary reliability and innovative thinking.

## **Introducing the new TRANE Split System Family**



**4MXD High Efficiency  
Ceiling Concealed Type  
Indoor Unit**

### **Quiet Operation**

Specially designed air flow structure efficiently reduces operation noise to provide quiet comfort, as low as 29 dB.

### **Built-in Drain Pump**

Easily drain condensation from the unit with the built-in drain pump.

### **Compact Design**

The compact construction and simple structure make the concealed model easy to install and maintain.

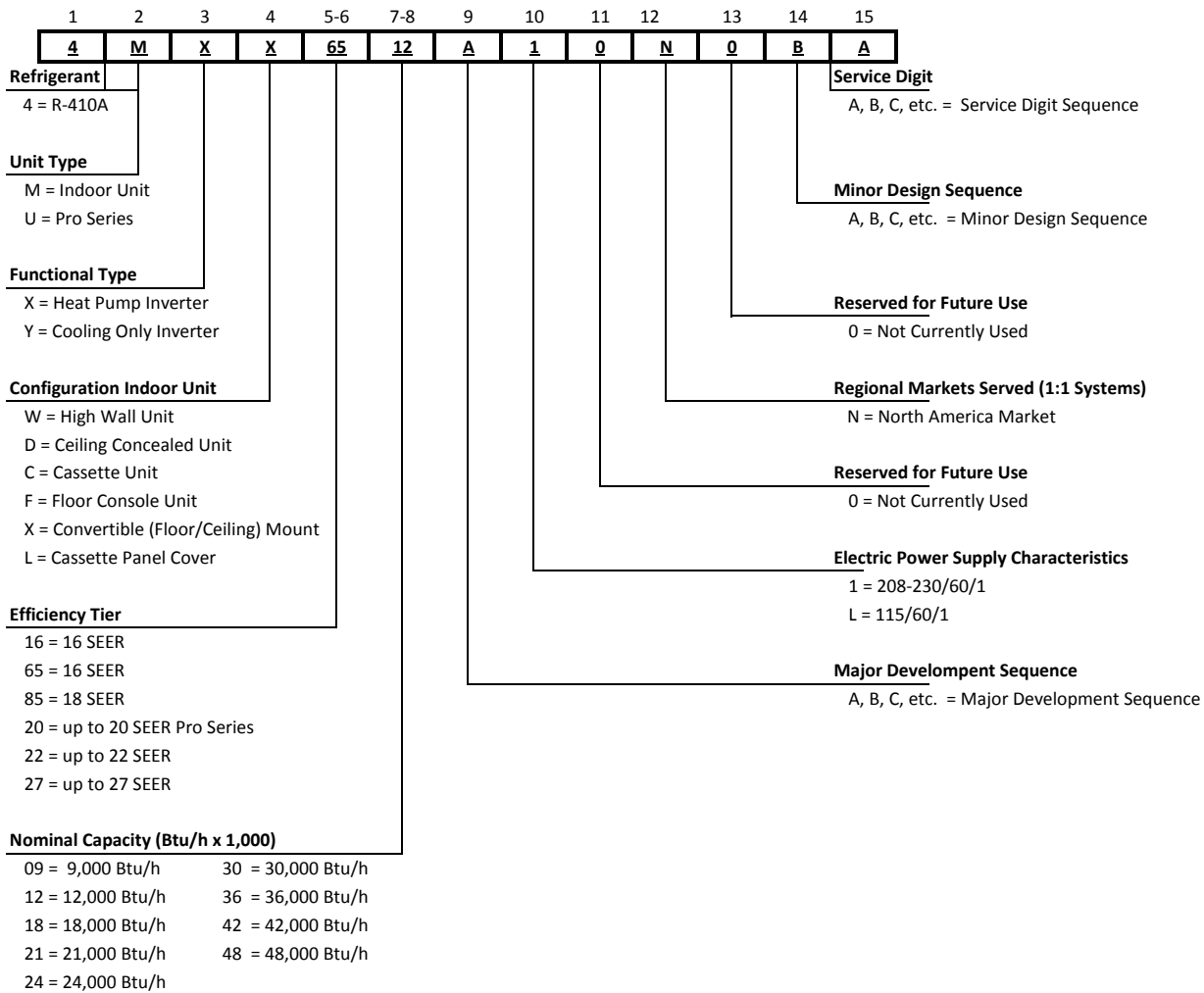
### **Fresh Air Supply**

Designed to exchange fresh air from outside to indoors improving the air quality of the room.

# Contents

Model Nomenclature	3
General Data	4-6
Unit Dimensions	7
Mechanical Specifications	8

## INDOOR UNIT MODEL NOMENCLATURE



# General Data

MODEL - Duct Type	4MXD8509A10N0	4MXD8512A10N0
RATED Volts/PH	208 / 230 / 1	208 / 230 / 1
Frequency (Hz)	60Hz	60Hz
Total Cooling Capacity (Btu/h)	8500	11900
Total Heating Capacity (Btu/h)	9500	13100
Air Flow Volume (CFM) (H/M/L)	265 / 177 / 147	324 / 236 / 177
Max. Static Pressure (In.H2O)	0.04	0.04
Sound Power Level dB(A) (H/M/L)	37 / 34 / 29	49 / 45 / 40
Sound PRESSURE Level dB(A) (H/M/L) ①	27 / 24 / 19	39 / 35 / 30
Dehumidifying Volume (pint/h)	1.69	2.96
PCB Fuse Current (A)	3.15	3.15
Fan Quantity	2	2
Fan Type	Centrifugal	Centrifugal
Motor Full Load Amp (FLA)	0.28	0.31
Fan Motor Drive Type	Direct Drive	Direct Drive
Fan Motor Speed (RPM) (H/M/L)	970 / 760 / 640	960 / 830 / 700
Evaporator Face Area (ft2)	1.18	1.18
Evaporator Number of Rows	2	3
Evaporator Fin Type	Hydrophilic film-louver fin	Hydrophilic film-louver fin
Evaporator Fin Coating	Blue	Blue
Air Filter Size (L x W/No.)	23.68 x 7.77 / 1	23.68 x 7.77 / 1
Gas Pipe (to indoor unit) (inch)	3/8	3/8
Liquid Pipe (inch)	1/4	1/4
Connection Method	Flare Connection	Flare Connection
Drain Connection (inner diameter)(inch)	1.0	1.0
Dimension (Uncrated) (W x D x H)	27.56 x 24.21 x 7.87	27.56 x 24.21 x 7.87
Dimension (Crated) (L x W x H)	35.04 x 29.13 x 11.42	35.04 x 29.13 x 11.42
Net Weight (lbs)	48.5	50.7
Gross Weight (lbs)	59.5	63.9

① Sound PRESSURE Level @ 3.3 ft. dB(A)

# General Data

MODEL - Duct Type	4MXD8518A10N0	4MXD8521A10N0
RATED Volts/PH	208 / 230 / 1	208 / 230 / 1
Frequency (Hz)	60Hz	60Hz
Total Cooling Capacity (Btu/h)	15300	20400
Total Heating Capacity (Btu/h)	18700	22600
Air Flow Volume (CFM) (H/M/L)	412 / 354 / 294	589 / 442 / 324
Max. Static Pressure (In.H2O)	0.04	0.06
Sound Power Level dB(A) (H/M/L)	51 / 46 / 40	52 / 47 / 42
Sound PRESSURE Level dB(A) (H/M/L) ①	41 / 36 / 30	42 / 37 / 32
Dehumidifying Volume (pint/h)	3.80	4.23
PCB Fuse Current (A)	3.15	3.15
Fan Quantity	3	4
Fan Type	Centrifugal	Centrifugal
Motor Full Load Amp (FLA)	0.41	0.50
Fan Motor Drive Type	Direct Drive	Direct Drive
Fan Motor Speed (RPM) (H/M/L)	920 / 780 / 720	985 / 800 / 680
Evaporator Face Area (ft2)	1.61	2.05
Evaporator Number of Rows	3	3
Evaporator Fin Type	Hydrophilic film-louver fin	Hydrophilic film-louver fin
Evaporator Fin Coating	Blue	Blue
Air Filter Size (L x W/No.)	31.57 x 7.60 / 1	39.47 x 7.74 / 1
Gas Pipe (to indoor unit) (inch)	1/2	5/8
Liquid Pipe (inch)	1/4	3/8
Connection Method	Flare Connection	Flare Connection
Drain Connection (inner diameter)(inch)	1.0	1.0
Dimension (Uncrated) (W x D x H)	35.43 x 24.21 x 7.87	43.31 x 24.21 x 7.87
Dimension (Crated) (L x W x H)	44.09 x 29.13 x 11.42	51.97 x 29.13 x 11.42
Net Weight (lbs)	59.5	68.3
Gross Weight (lbs)	79.4	90.4

① Sound PRESSURE Level @ 3.3 ft. dB(A)

# General Data

---

**MODEL - Duct Type****4MXD8524A10N0**

---

RATED Volts/PH	208 / 230 / 1
Frequency (Hz)	60Hz
Total Cooling Capacity (Btu/h)	23800
Total Heating Capacity (Btu/h)	27400
Air Flow Volume (CFM) (H/M/L)	589 / 442 / 324
Max. Static Pressure (In.H2O)	0.06
Sound Power Level dB(A) (H/M/L)	52 / 47 / 42
Sound PRESSURE Level dB(A) (H/M/L) ①	42 / 37 / 32
Dehumidifying Volume (pint/h)	5.28

---

PCB Fuse Current (A)	3.15
Fan Quantity	4
Fan Type	Centrifugal
Motor Full Load Amp (FLA)	0.50
Fan Motor Drive Type	Direct Drive
Fan Motor Speed (RPM) (H/M/L)	985 / 800 / 680

---

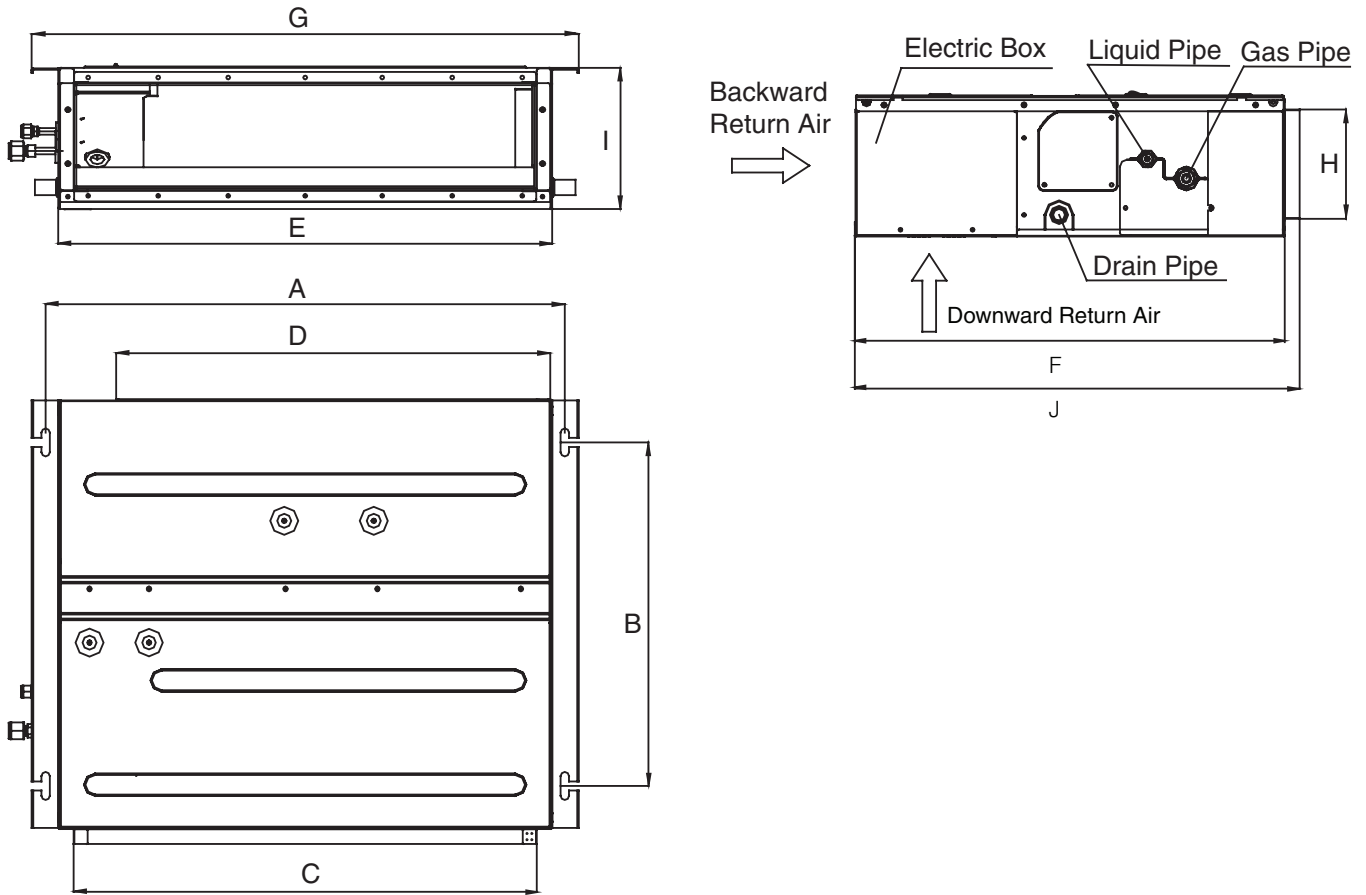
Evaporator Face Area (ft <sup>2</sup> )	2.05
Evaporator Number of Rows	3
Evaporator Fin Type	Hydrophilic film-louver fin
Evaporator Fin Coating	Blue
Air Filter Size (L x W/No.)	39.47 x 7.74 / 1
Gas Pipe (to indoor unit) (inch)	5/8
Liquid Pipe (inch)	3/8
Connection Method	Flare Connection
Drain Connection (inner diameter)(inch)	1.0

---

Dimension (Uncrated) (W x D x H)	43.31 x 24.21 x 7.87
Dimension (Crated) (L x W x H)	51.97 x 29.13 x 11.42
Net Weight (lbs)	68.3
Gross Weight (lbs)	90.4

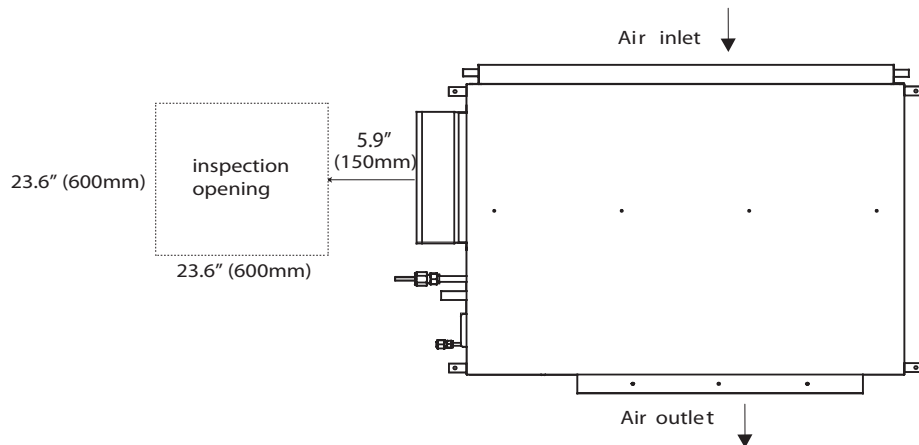
① Sound PRESSURE Level @ 3.3 ft. dB(A)

# Unit Dimensions



Unit Dimensions - In. (mm)										
MODEL	A	B	C	D	E	F	G	H	I	J
4MXD8509A	29.2	19.3	26.1	24.4	27.6	24.2	30.8	6.1	7.9	25.0
4MXD8512A	(742)	(491)	(662)	(620)	(700)	(615)	(782)	(156)	(200)	(635)
4MXD8518A	37.1	19.3	33.9	32.3	35.4	24.2	38.7	6.1	7.9	25.0
4MXD8521A	(942)	(491)	(862)	(820)	(900)	(615)	(982)	(156)	(200)	(635)
4MXD8524A	45.0	19.3	41.8	40.1	43.3	24.2	46.5	6.1	7.9	25.0
	(1142)	(491)	(1062)	(1020)	(1100)	(615)	(1182)	(156)	(200)	(635)

NOTES: Be sure to place a inspection opening at the position indicated in the following diagram for maintenance of the equipment.



# Mechanical Specifications

---

## Ceiling Concealed Type Indoor Unit

### General

The ceiling concealed type air handler shall be completely factory assembled including coil, condensate drain pan, built-in condensate drain pump, fan motor and electric controls to be used with a wired remote controller. Unit shall be matched with a Trane outdoor unit, rated and tested in accordance with AHRI standard. Unit shall be ETL listed.

### Unit Casing

Casing shall be provided with drain hose to facilitate piping and electrical connection on the right and left of the unit. An electrical service cover shall be provided to permit easy access to the electrical terminal strip.

### Discharge Airflow and Distribution System

The unit is shipped configured for connection to rectangular grilles or registers. Alternate styles may be used with a field supplied transition.

Supply and return connections should be no longer than 3.3 feet total. This system is designed for customers that want a concealed system. It is not intended for air handler use to multiple rooms.

The system may be configured for either backward return air (default set-up) or by changing the flange and return cover plate the unit can be configured for downward return air.

### Controls

Units shall have the capability to be controlled with the supplied wired control unit. The optional wireless remote may be used to operate the wall mounted control.

### Remote Controller

The unit may have an optional wireless infrared remote controller with easy reading digital display panel to start, stop and regulate the supplied wired control from a distance.

The wireless controller is available for all units. **(Sold separately)**

